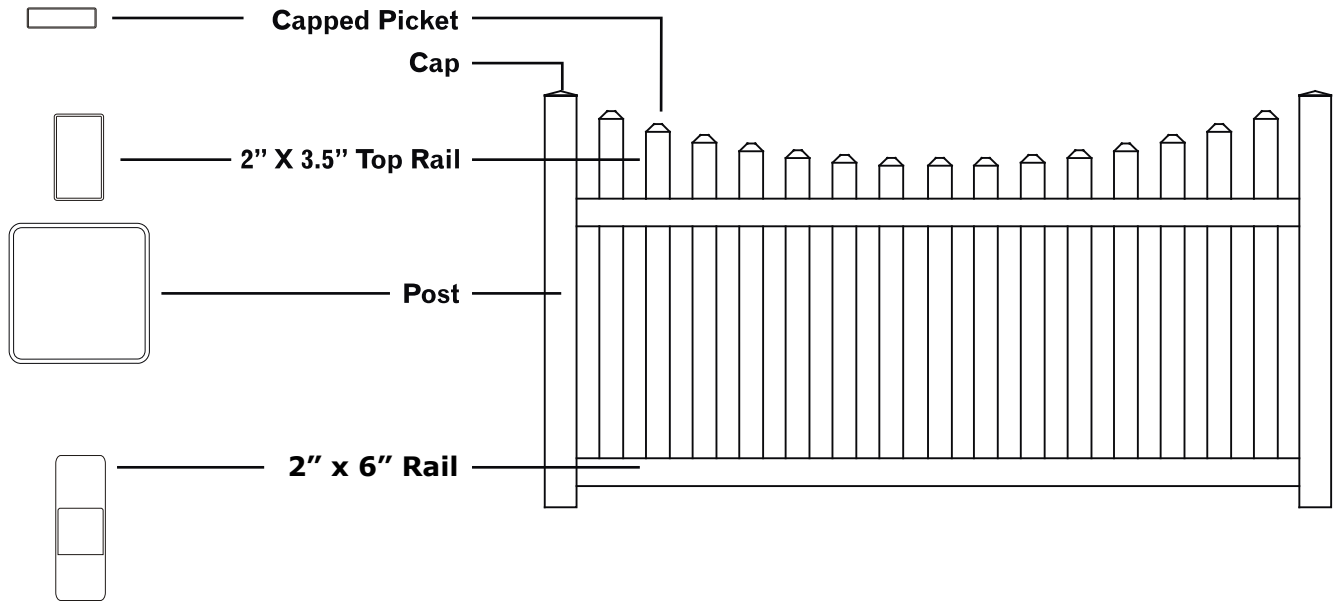


### Components



### Before You Begin

Familiarize yourself with installation instructions.

Consult local building codes.

**KNOW WHAT'S BELOW BEFORE YOU DIG.** If a diggers hotline exists in your area, call that first. If not, contact local utility companies for assistance.

### Fence Layout

Plan ahead. Develop a good post layout sketch or drawing of the fence line, or railing line.

Layout fence line to determine post and gate locations.

Assemble gates (if necessary) see gate installation instructions.

Start at gates and work outward.

### Dig Holes & Install First Post

Cape Cod post spacing is 95" on center.

After each post has been positioned and marked, use an auger or post hole digger to dig holes. If using 5 x 5 post use a 12" diameter hole. If using 4 x 4 post use a 10" diameter hole. Holes should be 36" deep or below frost line.

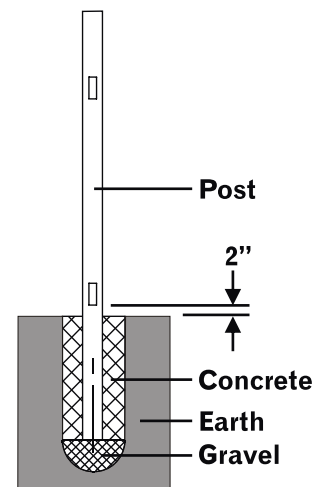
Fill bottom of holes with 2" of gravel.

Position post with 2" of clearance post between bottom rail and ground

Fill hole around post with concrete up to 2"- 4" from top of hole.

Level and square post.

**Note: Corner and Gate posts should be filled with concrete after fence rails and gates are installed.**

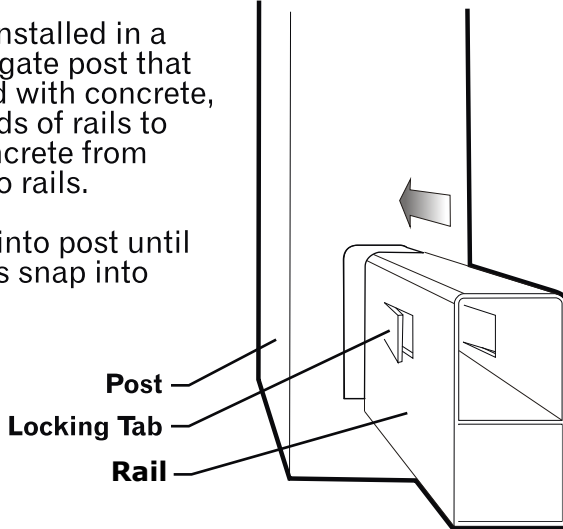


## Install Bottom Rail and Top Rail

Be sure that aluminum support rail is installed in bottom rail before installation.

If rails are installed in a corner or a gate post that will be filled with concrete, tape the ends of rails to prevent concrete from flowing in to rails.

Insert rails into post until locking tabs snap into place.



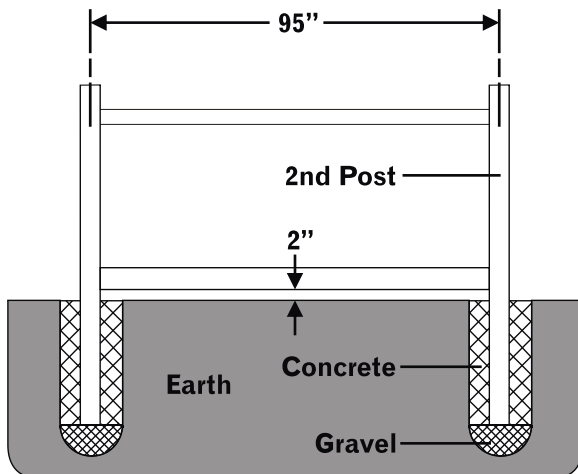
## Install Second Post

Insert post into hole. Insert bottom rail and top rail into post.

Support bottom rail at the appropriate height. (with 2" of clearance between bottom rail and ground)

Fill hole around post with concrete up to 2" - 4" from top of hole.

Level and square post.



Install all remaining posts and rails.

Allow concrete to set before installing spindles.

## Install Pickets

**Note: Layout pickets before installing to ensure proper installation order.**

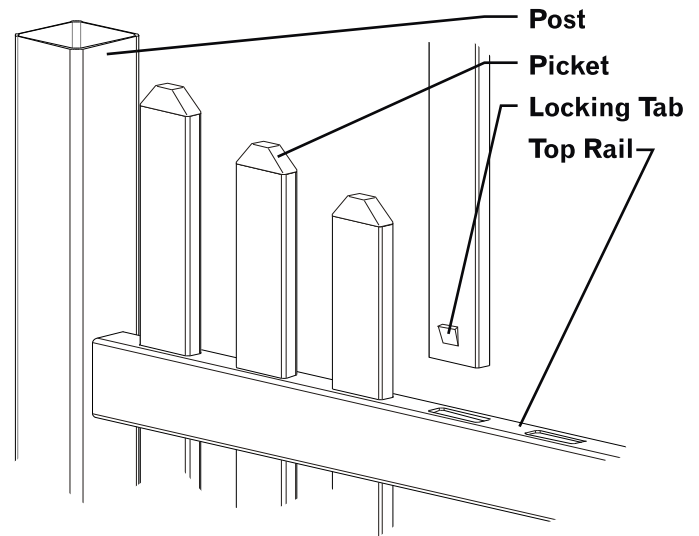
Starting at a post. Insert a picket into the pre-fabricated hole in top rail.

**Note: Position locking tab as shown below.**

Slide picket thru top rail and align with pre-fabricated hole next to post in the bottom rail.

Slide picket into bottom rail until locking tabs snap into place.

Install remaining pickets.



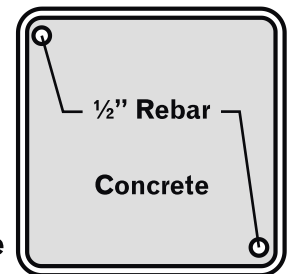
## Reinforce Corner and Gate Posts

Position 2 pieces of 1/2" rebar in **all corner posts and gate posts** as show.

The rebar should reach from the bottom of the hole to within 12" of the top of post.

Fill posts with concrete until rebar is covered.

**Support Gates until concrete has set for 72hrs.**



## Install Post Caps

Caps can be secured with glue, silicon adhesive or #8 x 3/4" screws caps and washer depending on the style of cap.