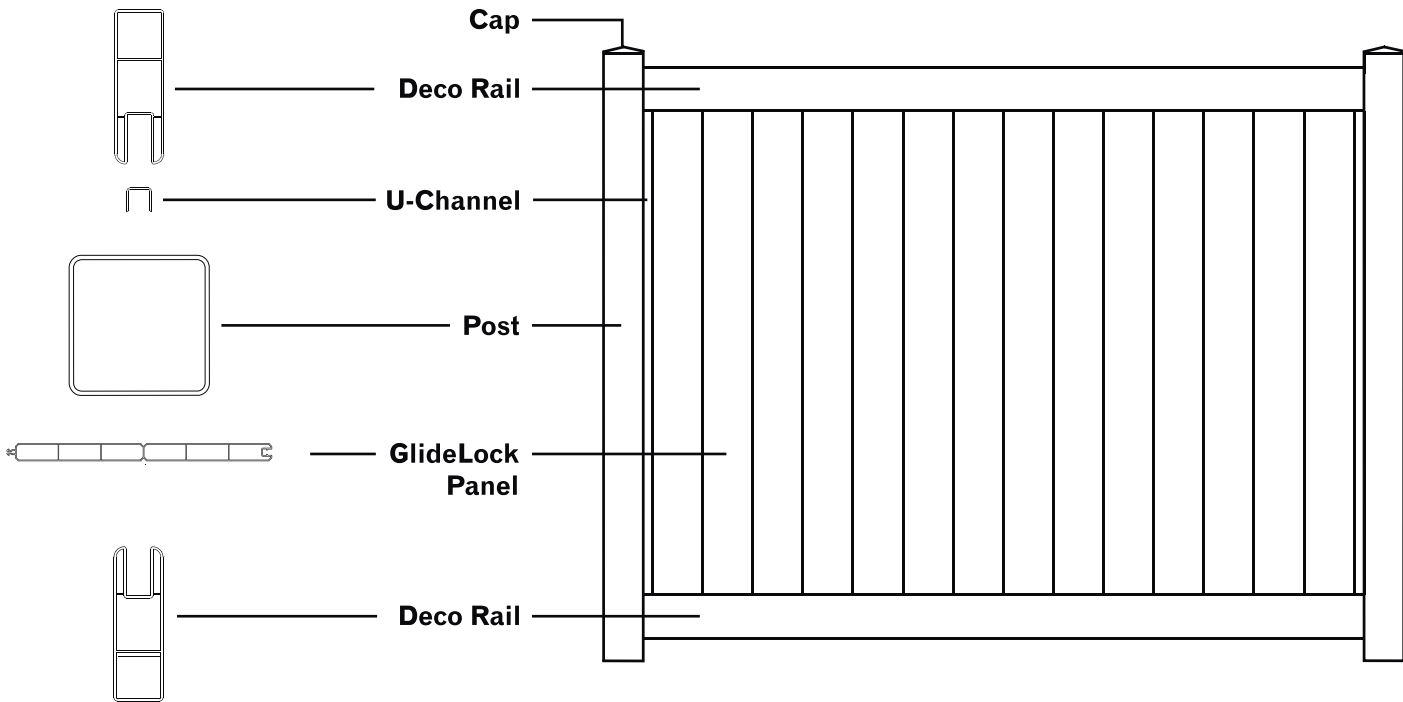


Components



Before You Begin

Familiarize yourself with installation instructions.

Consult local building codes.

KNOW WHAT'S BELOW BEFORE YOU DIG. If a diggers hotline exists in your area, call that first. If not, contact local utility companies for assistance.

Fence Layout

Plan ahead. Develop a good post layout sketch or drawing of the fence line, or railing line.

Layout fence line to determine post and gate locations.

Assemble gates (if necessary) see gate installation instructions.

Start at gates and work outward.

Dig Holes & Install First Post

Patriot post spacing is 96" on center.

After each post has been positioned and marked, use an auger or post hole digger to dig holes. If using 5 x 5 post use a 12" diameter hole. If using 4 x 4 post use a 10" diameter hole. Holes should be 36" deep or below frost line.

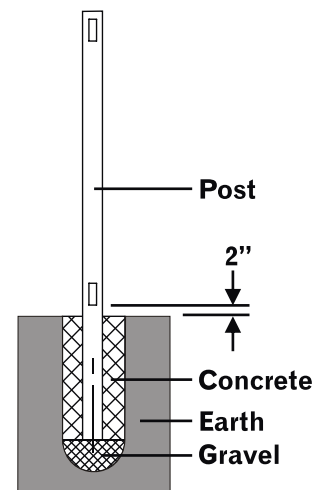
Fill bottom of holes with 2" of gravel.

Position post with 2" of clearance between bottom rail and ground

Fill hole around post with concrete up to 2"- 4" from top of hole.

Level and square post.

Note: Corner and Gate posts should be filled with concrete after fence rails and gates are installed.

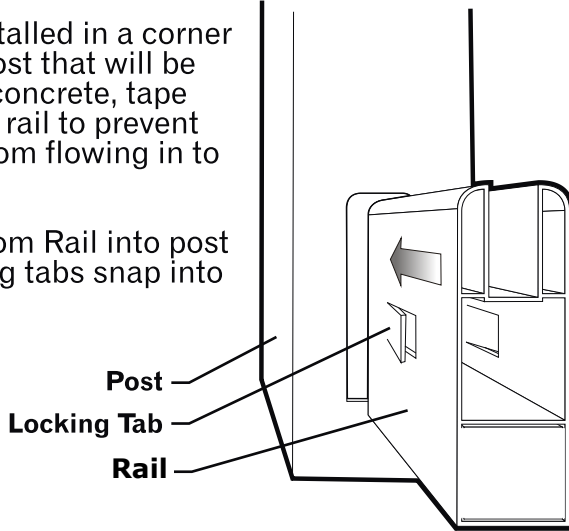


Install Bottom Rail

Be sure that aluminum support rail is installed in bottom rail before installation.

If rail is installed in a corner or a gate post that will be filled with concrete, tape the ends of rail to prevent concrete from flowing in to rails.

Insert Bottom Rail into post until locking tabs snap into place.



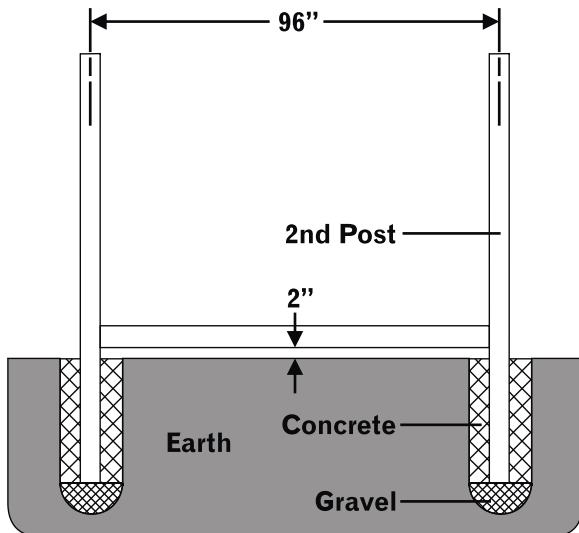
Install Second Post

Insert post into hole. Insert bottom rail into post.

Support bottom at the appropriate height. (with 2" of clearance between bottom rail and ground)

Fill hole around post with concrete up to 2" - 4" from top of hole.

Level and square post.



Install all remaining posts and bottom rails.

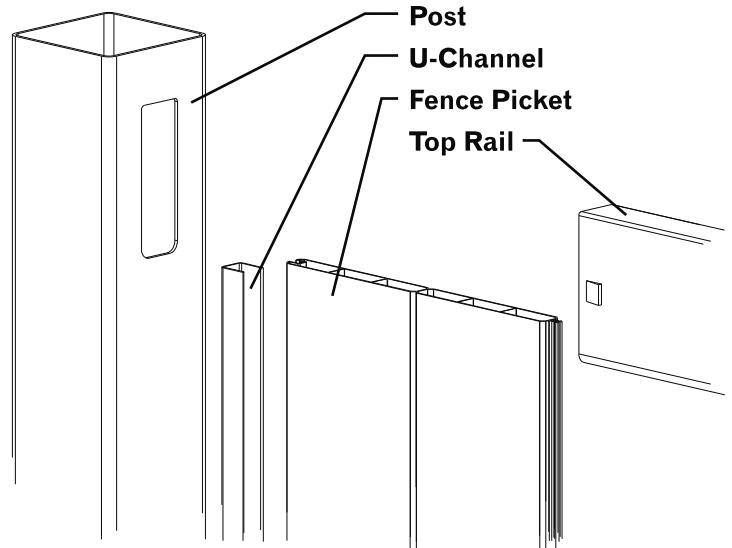
Allow concrete to set before installing pickets and top rails.

Install Pickets and Top Rails

Place a u-channel over the tongue of first picket and insert into bottom rail. Butt u-channel and picket into post.

Insert the remaining pickets into bottom rail. Place a u-channel over the groove of last picket before installing.

Slide top rail over one end of pickets and into rail until locking tabs snap into place. Slide top rail towards the other post until locking tabs snap into place.



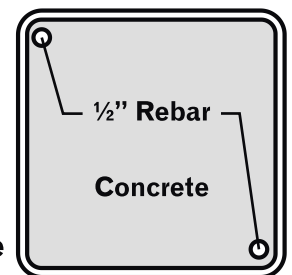
Reinforce Corner and Gate Posts

Position 2 pieces of 1/2" rebar in **all corner posts and gate posts** as show.

The rebar should reach from the bottom of the hole to within 12" of the top of post.

Fill posts with concrete until rebar is covered.

Support Gates until concrete has set for 72hrs.



Install Post Caps

Caps can be secured with glue, silicon adhesive or #8 x 3/4" screws caps and washer depending on the style of cap.